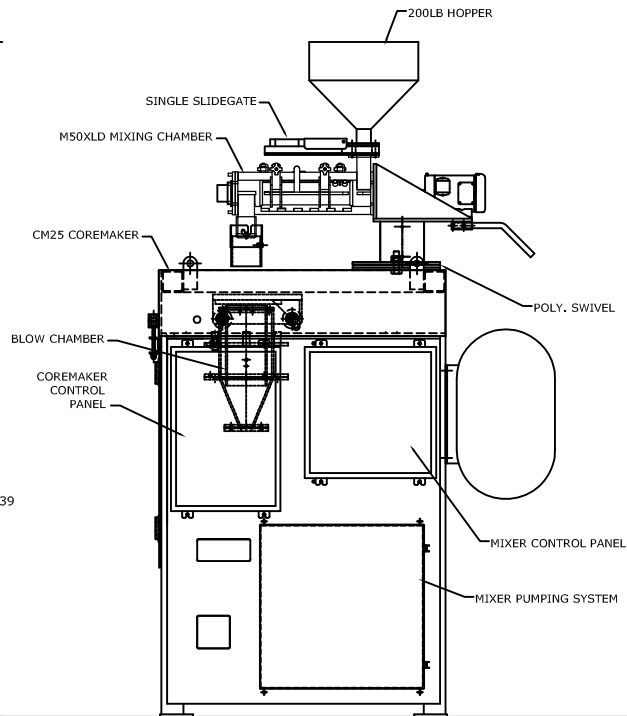
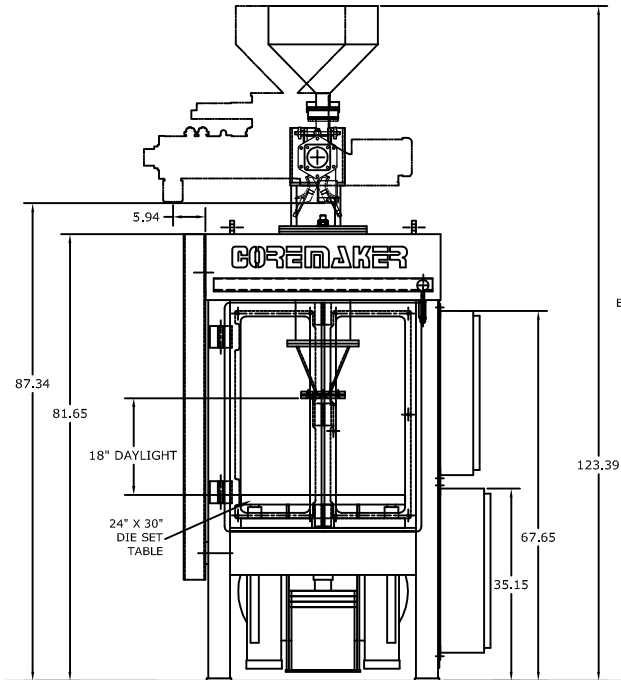
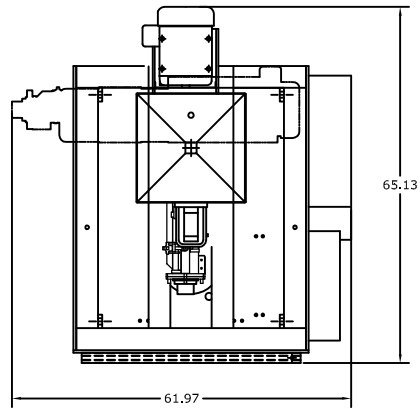


<b>CONFIDENTIAL</b>		<b>PALMER</b>		18 BECHTLE AVENUE SPRINGFIELD, OHIO 45504 U.S.A. (937) 323-6339 OR 1-800-457-5456	
THIS DOCUMENT, INCLUDING ALL INFORMATION HEREIN, IS THE EXCLUSIVE AND CONFIDENTIAL PROPERTY OF PALMER MANUFACTURING. THEREFORE THIS DOCUMENT IS NOT TO BE COPIED, REPRODUCED, OR DELIVERED TO OTHERS WITHOUT THE EXPRESS WRITTEN PERMISSION OF PALMER.		MANUFACTURING & SUPPLY, INC.		DRAWN BY: R. MCNEELY	
SCALE: NONE	DATE: 04-09-02	APPROVED BY:			
TITLE: <b>CM-25 COREMAKER</b>					
PREVIOUS DWG. #: N/A	DWG. #: CM10015	REV: -	PG. #: 1 OF		
NOTE:					



**SAMPLE DRAWING**  
FOR QUOTATION  
PURPOSES ONLY

CONFIDENTIAL

THIS DOCUMENT, INCLUDING ALL INFORMATION HEREIN, IS THE EXCLUSIVE AND CONFIDENTIAL PROPERTY OF PALMER MANUFACTURING. THEREFORE THIS DOCUMENT IS NOT TO BE COPIED, REPRODUCED, OR DELIVERED TO OTHERS WITHOUT THE EXPRESS WRITTEN PERMISSION OF PALMER.

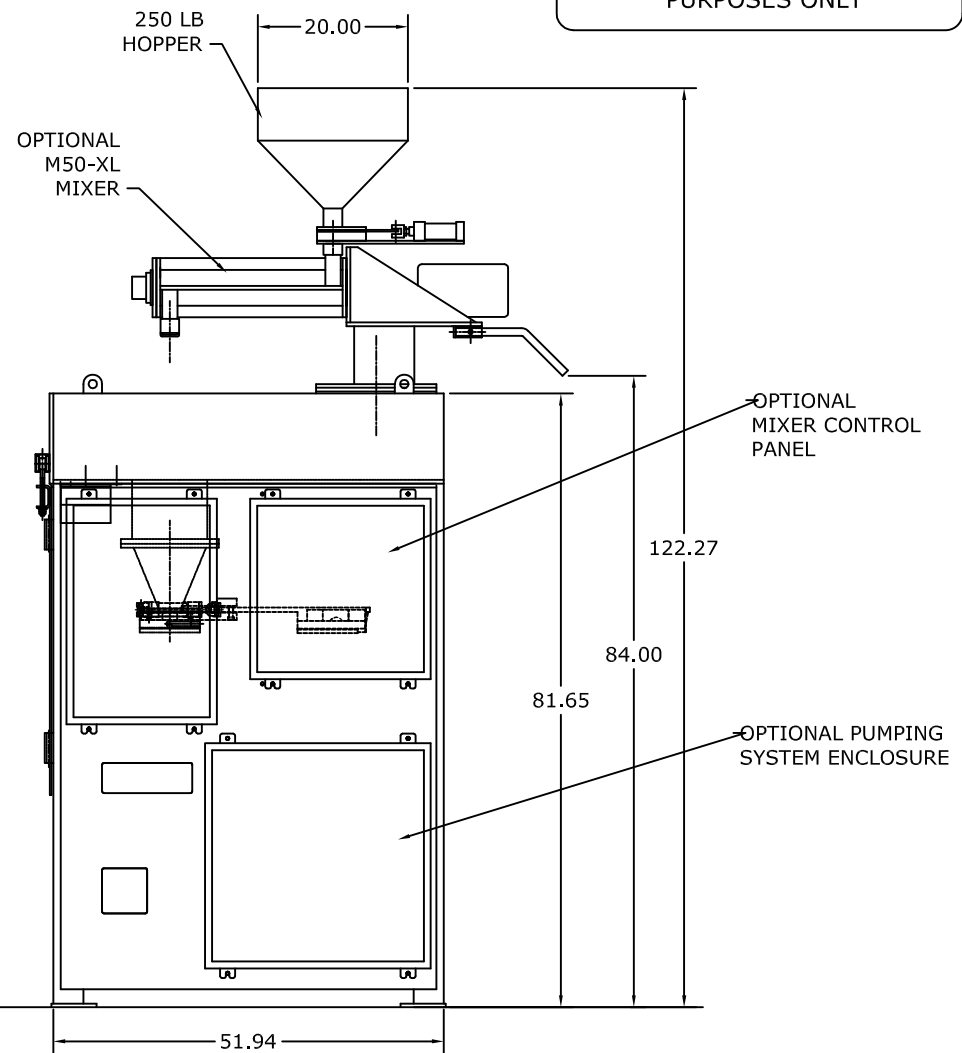
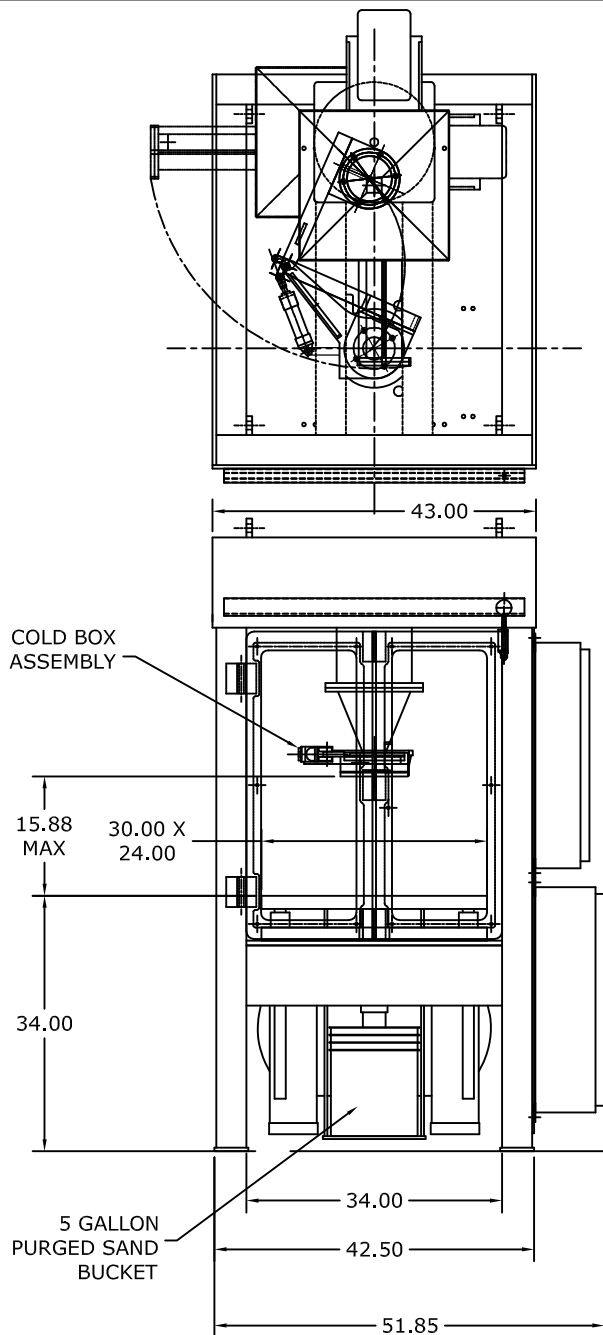
NOTE:  
W/ OPTIONAL M50XLD MIXER



18 BECHTLE AVENUE  
SPRINGFIELD, OHIO 45504 U.S.A.  
(937) 323-6339 OR  
1-800-457-5456

SCALE: NONE	APPROVED BY:	DRAWN BY: SLW
DATE: 2/29/08		
TITLE: <b>CM-25 COREMAKER</b>		
PREVIOUS DWG. #: N/A	DWG. #: CM10008	REV: O
NOTE:		PG. #: 1 OF 26

**SAMPLE DRAWING**  
FOR QUOTATION  
PURPOSES ONLY



**CONFIDENTIAL**

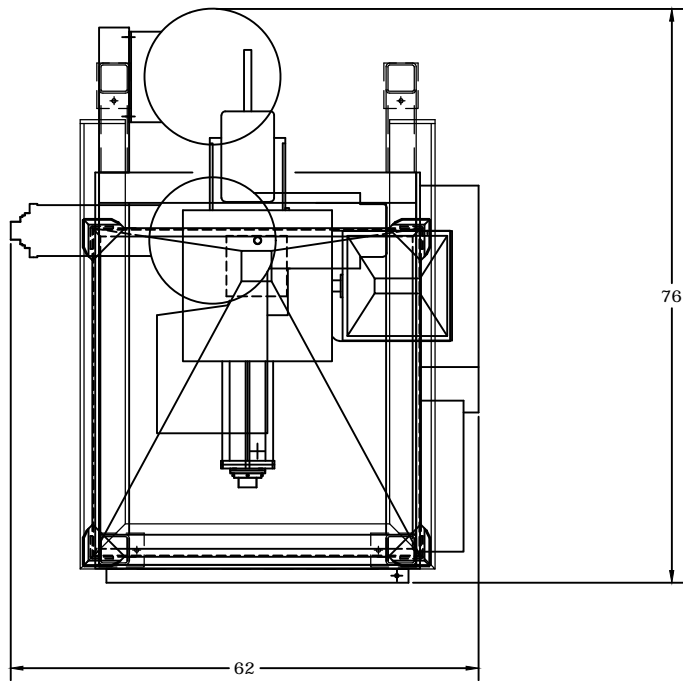
THIS DOCUMENT, INCLUDING ALL INFORMATION HEREIN, IS THE EXCLUSIVE AND CONFIDENTIAL PROPERTY OF PALMER MANUFACTURING. THEREFORE THIS DOCUMENT IS NOT TO BE COPIED, REPRODUCED, OR DELIVERED TO OTHERS WITHOUT THE EXPRESS WRITTEN PERMISSION OF PALMER.

**PALMER** 18 BECHTLE AVENUE  
MANUFACTURING & SUPPLY, INC. SPRINGFIELD, OHIO 45504 U.S.A.  
(937) 323-6339 OR 1-800-457-5456

SCALE: NONE	APPROVED BY:	DRAWN BY:
DATE: 5/12/05		S. WENNING
TITLE: <b>CM-25 COREMAKER</b>		
PREVIOUS DWG. #:	DWG. #:	REV:
N/A	CM10052	-
NOTE: W/ OPTIONAL M50XL MIXER AND COLD BOX		PG. #: 1 OF

POWDER ADDITIVE INFORMATION NEEDED

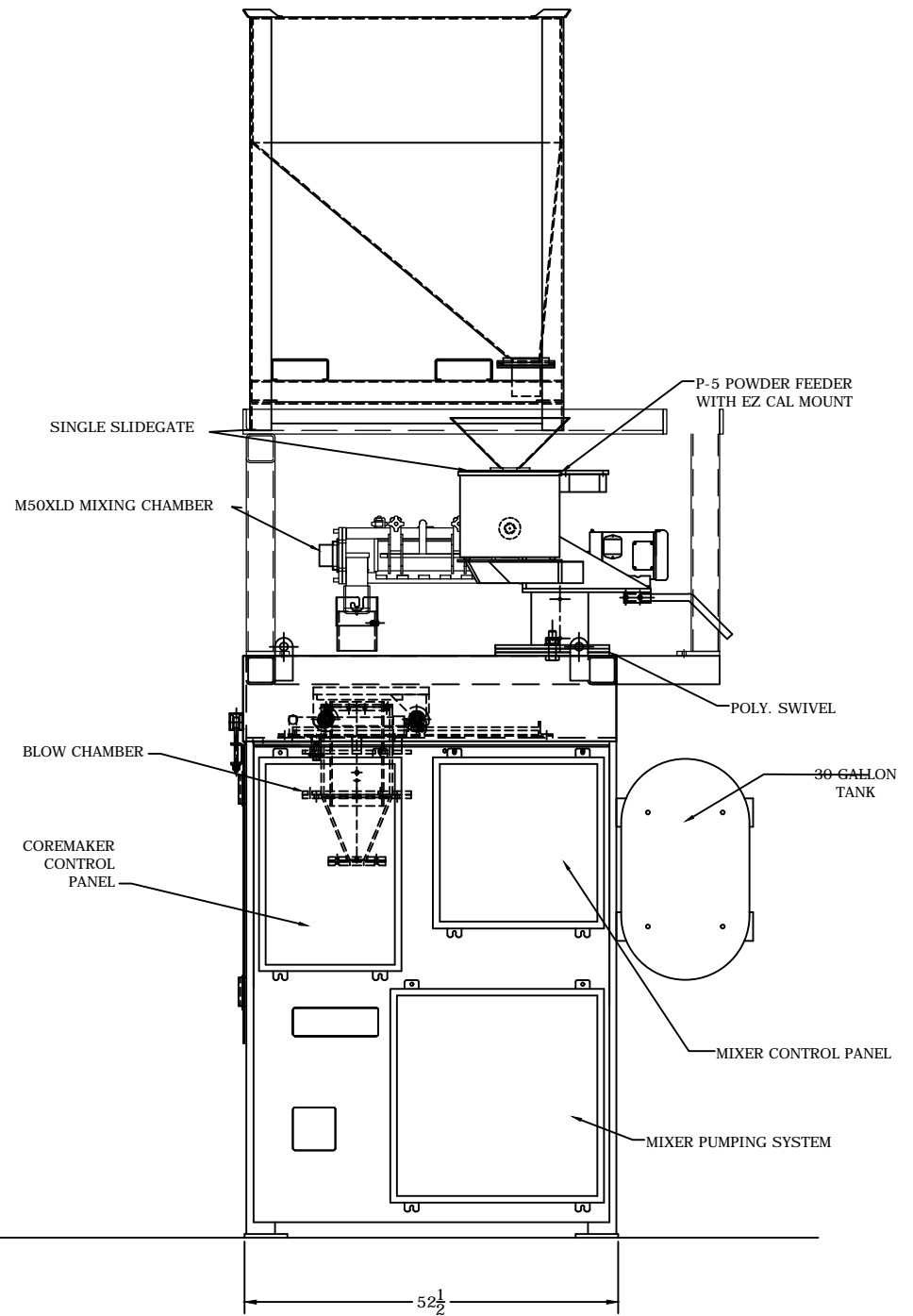
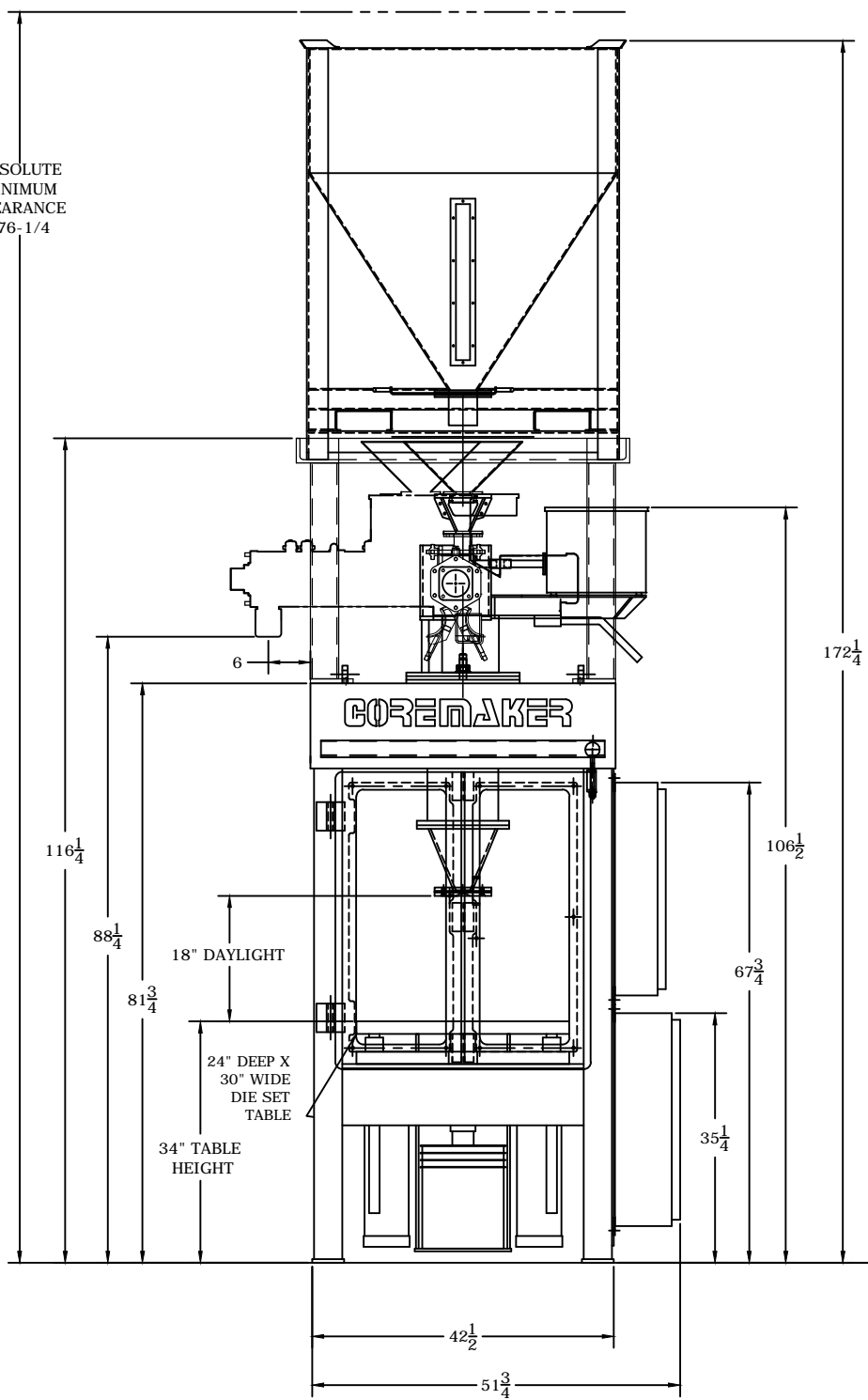
- 1-WHAT PERCENT OF ADDITIVE WILL BE ADDED BASED ON SAND?
- 2-WHAT TYPE OF ADDITIVE?
- 3-WHAT IS THE BULK DENSITY OF THAT ADDITIVE?



**SAMPLE DRAWING**  
 FOR QUOTATION  
 PURPOSES ONLY

RECOMMENDED  
 MINIMUM  
 CLEARANCE  
 182-1/4"

ABSOLUTE  
 MINIMUM  
 CLEARANCE  
 176-1/4"



**CONFIDENTIAL**

THIS DOCUMENT, INCLUDING ALL INFORMATION HEREIN, IS THE EXCLUSIVE AND CONFIDENTIAL PROPERTY OF PALMER MANUFACTURING & SUPPLY, INC. THEREFORE THIS DOCUMENT IS NOT TO BE COPIED, REPRODUCED, OR DELIVERED TO OTHERS WITHOUT THE EXPRESS WRITTEN PERMISSION OF PALMER.

**PALMER**  
 MANUFACTURING & SUPPLY, INC.

18 BECHTLE AVENUE  
 SPRINGFIELD, OHIO 45504 U.S.A.  
 (937) 323-6339 OR  
 1-800-457-5456

SCALE: NONE	APPROVED BY:	DRAWN BY: CSW
DATE: 1/19/12		
<b>CM-25 CORE MAKER</b>		
PREVIOUS DWG. #: N/A	DWG. #: CM10204	REV: -